

# BALL JOINT

## MBJ18/MBJ12



SOLVAC

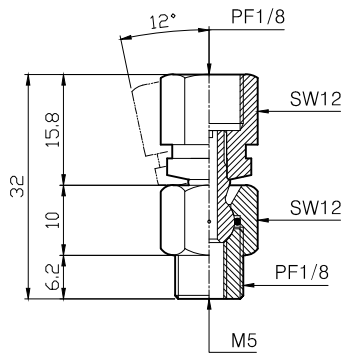
가

The SOLVAC Ball joint or sometimes referred to as a universal joint for use when a degree of angular compliance is required, more commonly used with flat type pads which unlike bellows do not allow for much angular compliance as part of their design. The vacuum port is integral through the centre of the joint thus providing a neat and compact solution.

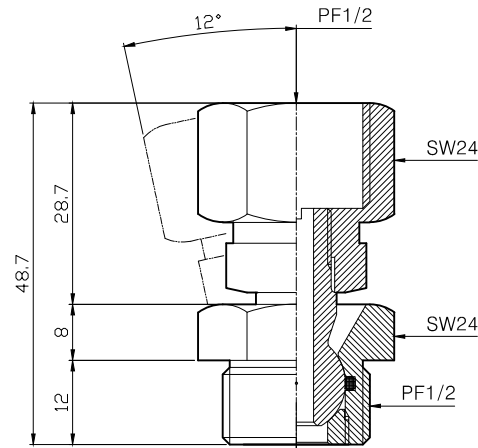
Ball joint

Dimension

MBJ18



MBJ12



※품질 향상을 위해 예고없이 사양이 변경될 수 있음.  
Specifications subject to change without notice.